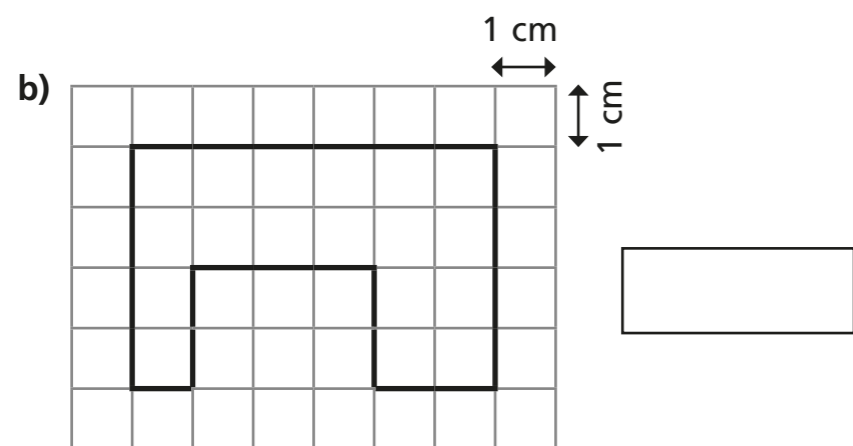
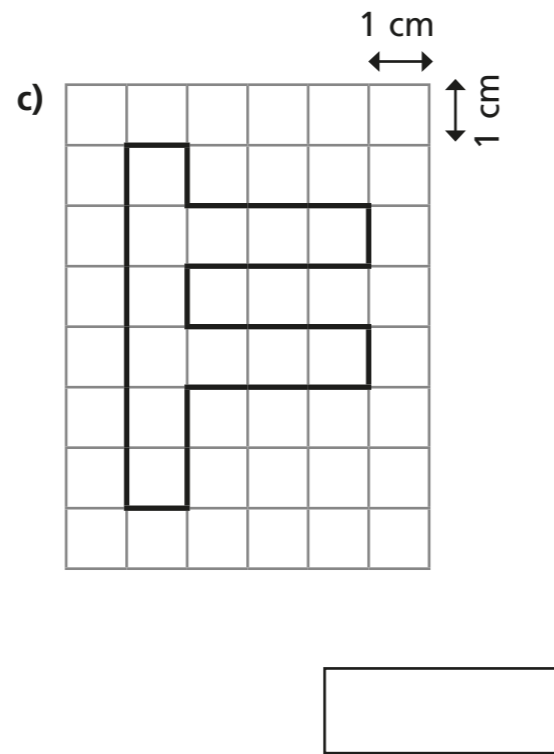
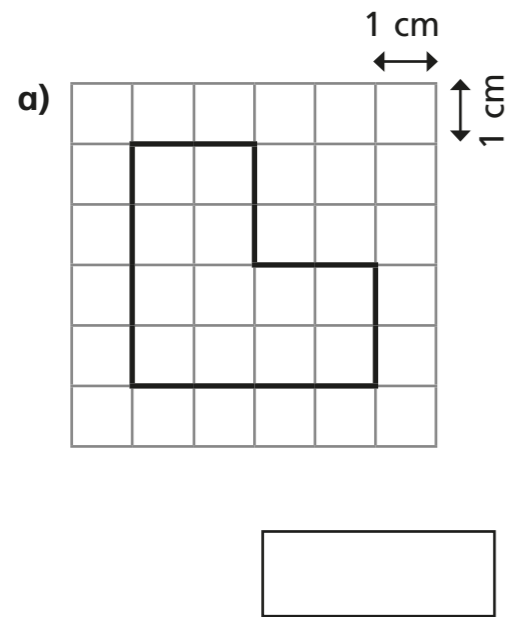
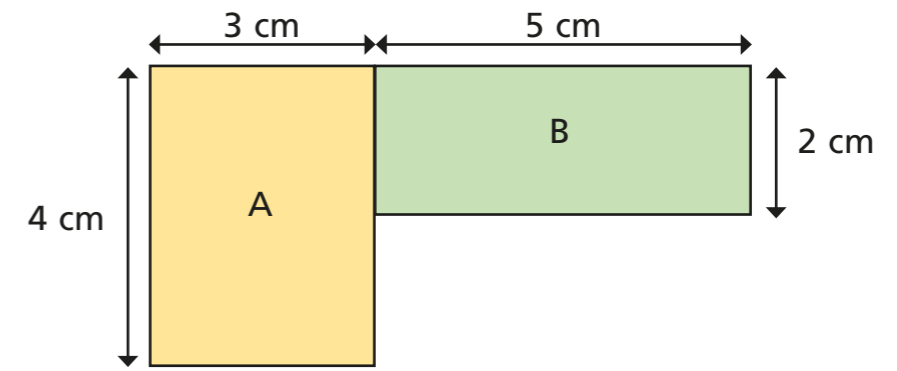


Area of compound shapes

- 1 On the grid, the area of each square is 1 cm^2
Calculate the area of each shape.



2



- a) Work out the area of rectangle A

area =

- b) Work out the area of rectangle B

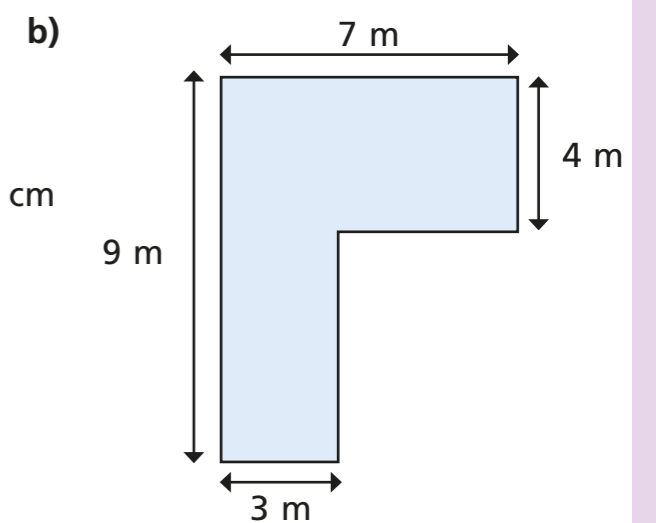
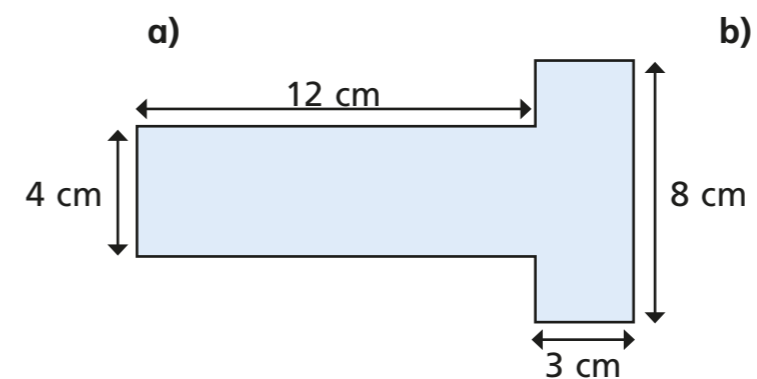
area =

- c) Work out the area of the compound shape.

area =

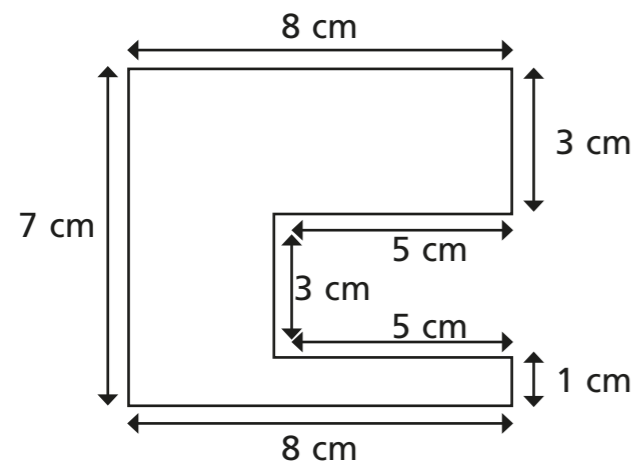
Talk about it with your partner.

- 3 Work out the area of each of the following shapes.
Show all your working.

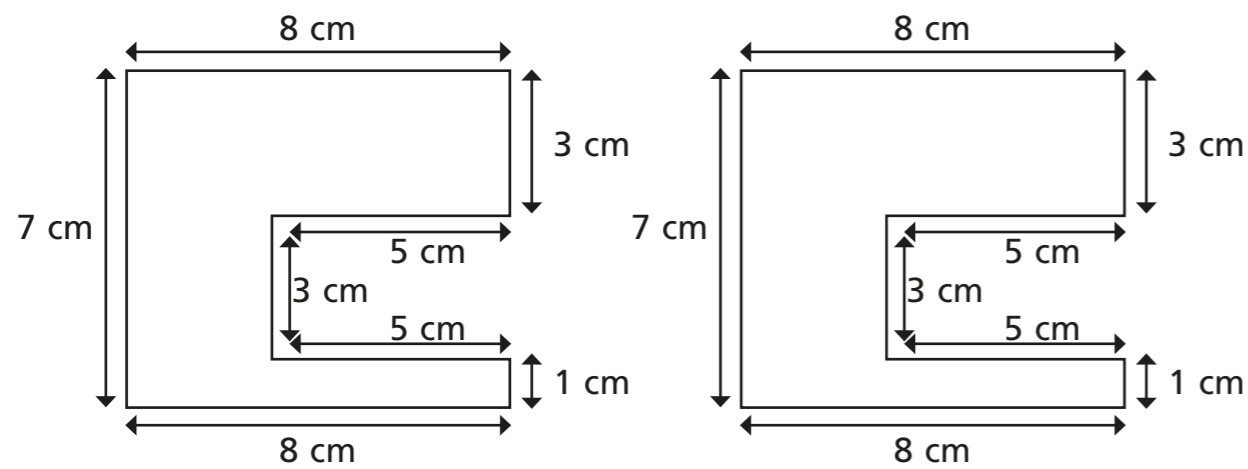


4 Calculate the area of the compound shapes.

a) Mark on the shape how you partitioned it.



b) Show how you can partition the shape in two other ways.



c) Alex has calculated the area of the same shape below.

$$8 \times 7 = 56$$

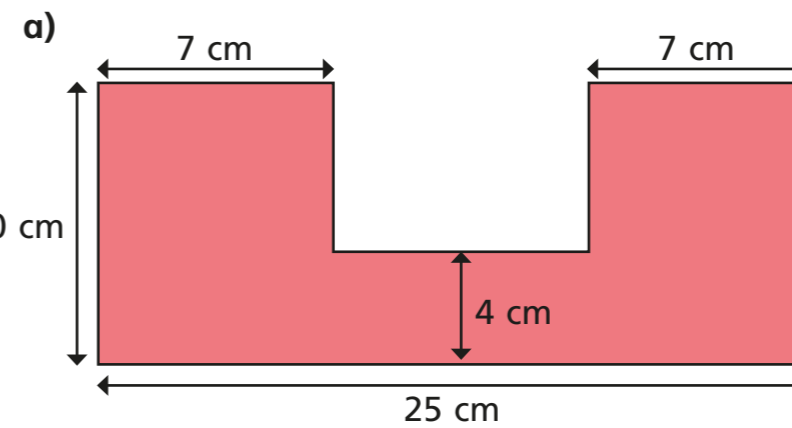
$$5 \times 3 = 15$$

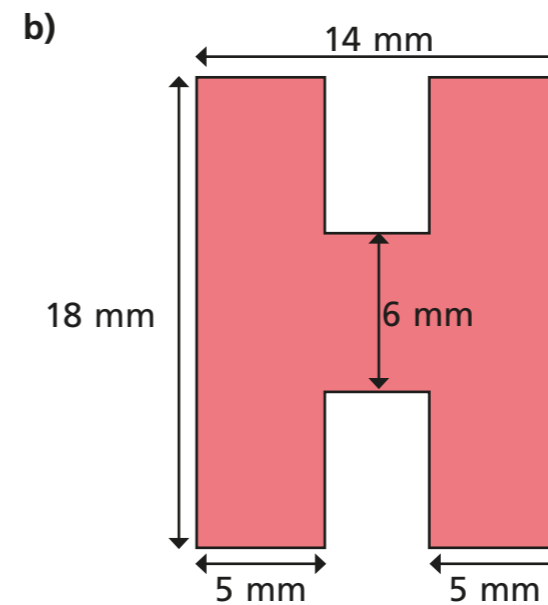
$$56 - 15 = 41 \text{ cm}^2$$

Explain the method Alex has used.



5 Calculate the area of these compound shapes.





6 The area of this shape is 83 cm^2
Work out the perimeter of the shape.

