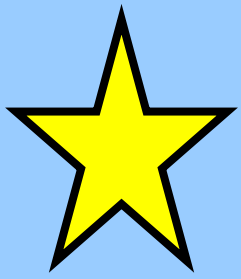


Maths





WALT



WALT calculate missing angles
I can:

- understand that there are 180° in a half turn.
- understand that there are 360° in a full turn.
- add and subtract to find missing angles.



Have a think about this question

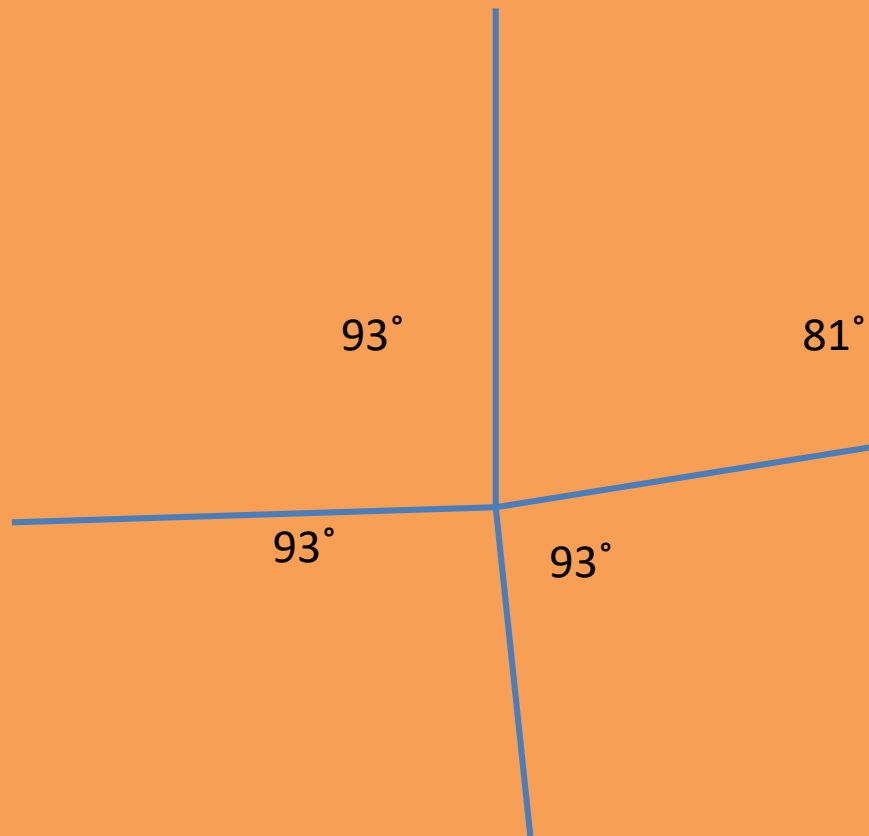
Four angles meet at the same point on a straight line.

One angle is 81°

The other three angles are equal.

What size are the other three angles?

Draw a diagram to prove your answer.

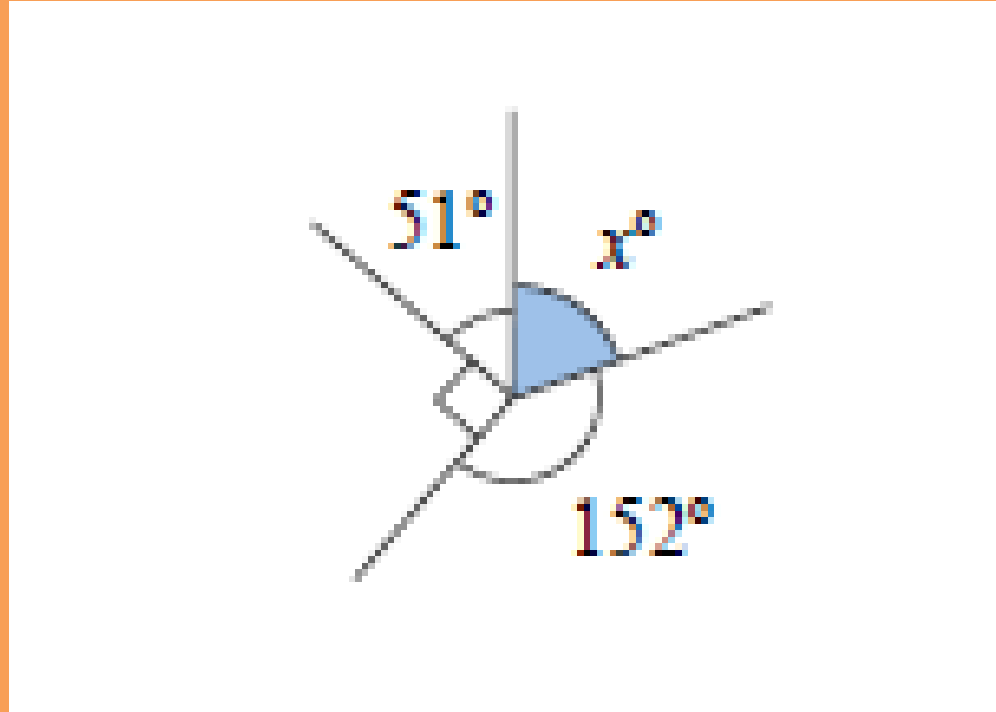


If there is an 81° angle – what is the remaining angle?

If we subtract 81 from 360 we are left with an angle of 279°

If we do $279 \div 3 = 93^\circ$

I do

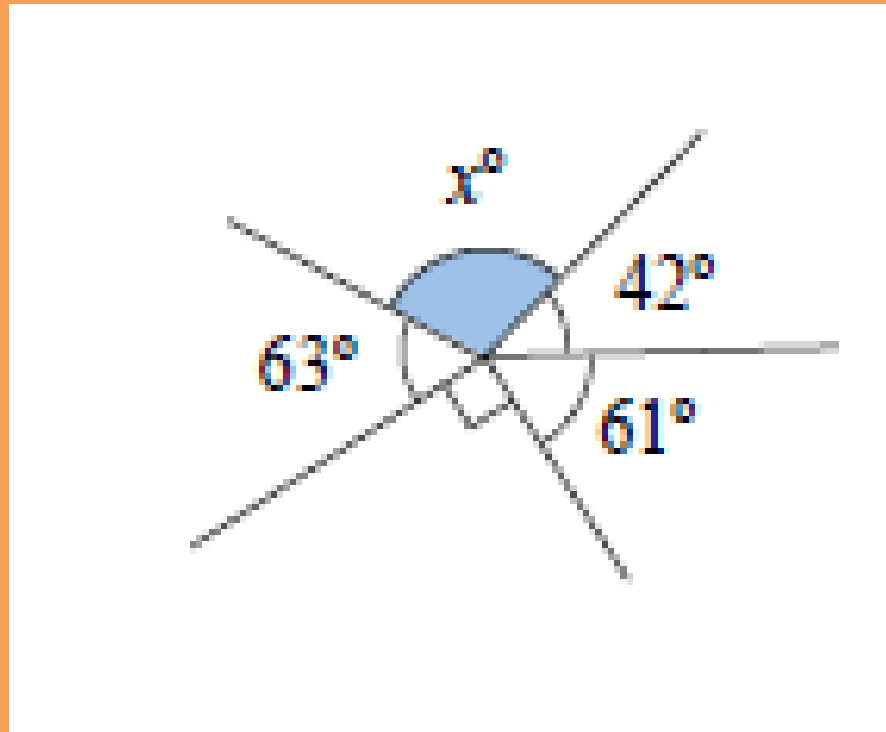


To find angle x – I am going to add all the angles that I do know together.

$$51 + 152 + 90 = 293^\circ$$

$$360 - 293 = 67^\circ$$

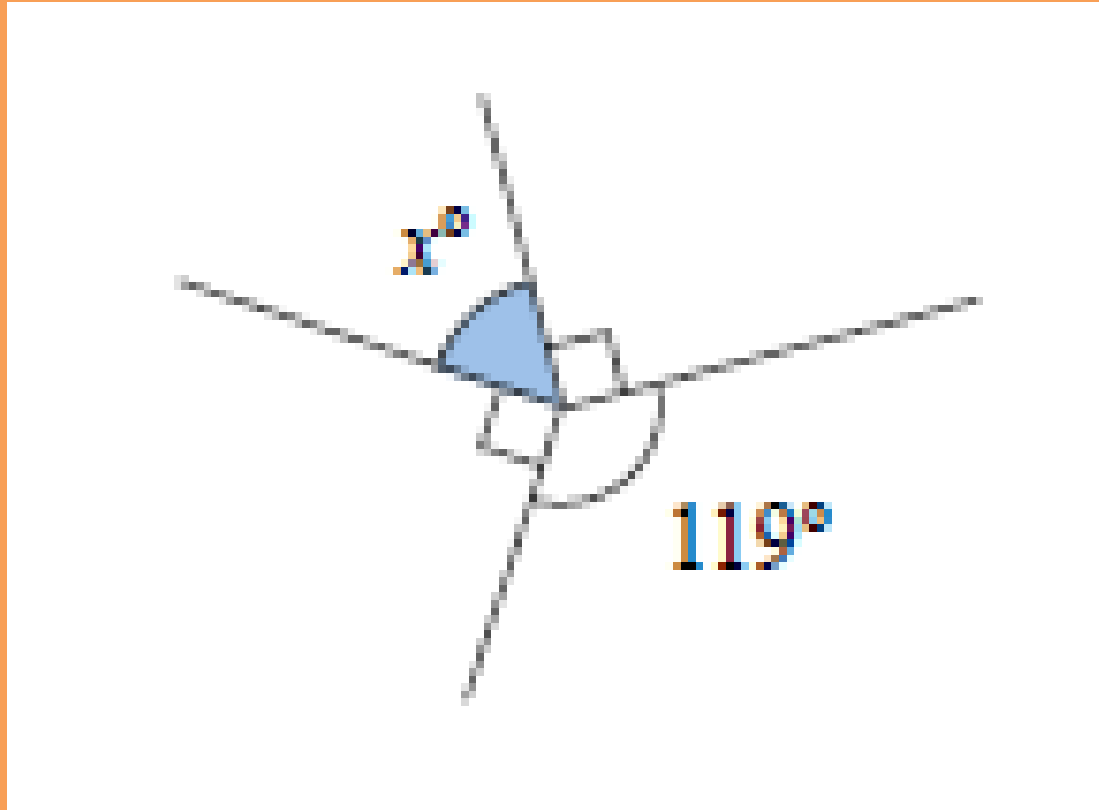
We do



$$42 + 61 + 63 + 90 = 256^\circ$$

$$360 - 256 = 104^\circ$$

You do



$$119 + 180 = 299^\circ$$

$$360 - 299 = 61^\circ$$