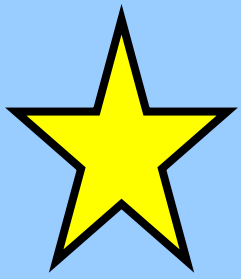


# Maths





# WALT

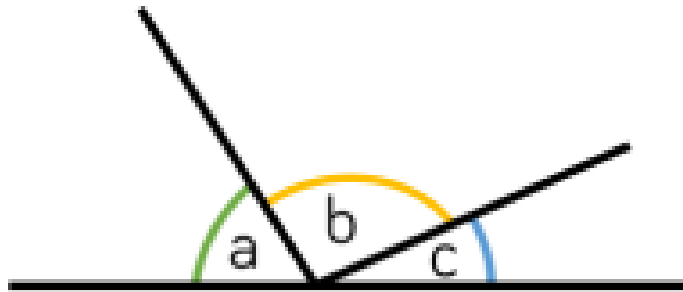


WALT find angles around a point  
I can:

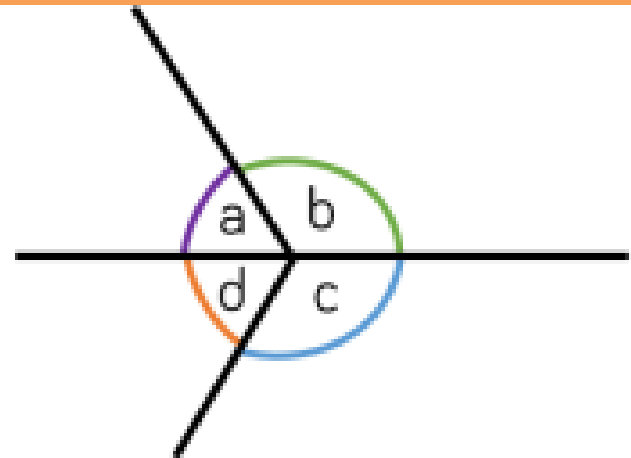
- Understand that there are  $180^\circ$  in a half turn.
- Understand that there are  $360^\circ$  in a full turn.
- Add and subtract to find missing angles.



Angles around a point – can you find the number sentences for these angles?



$$a+b+c = 180^\circ$$

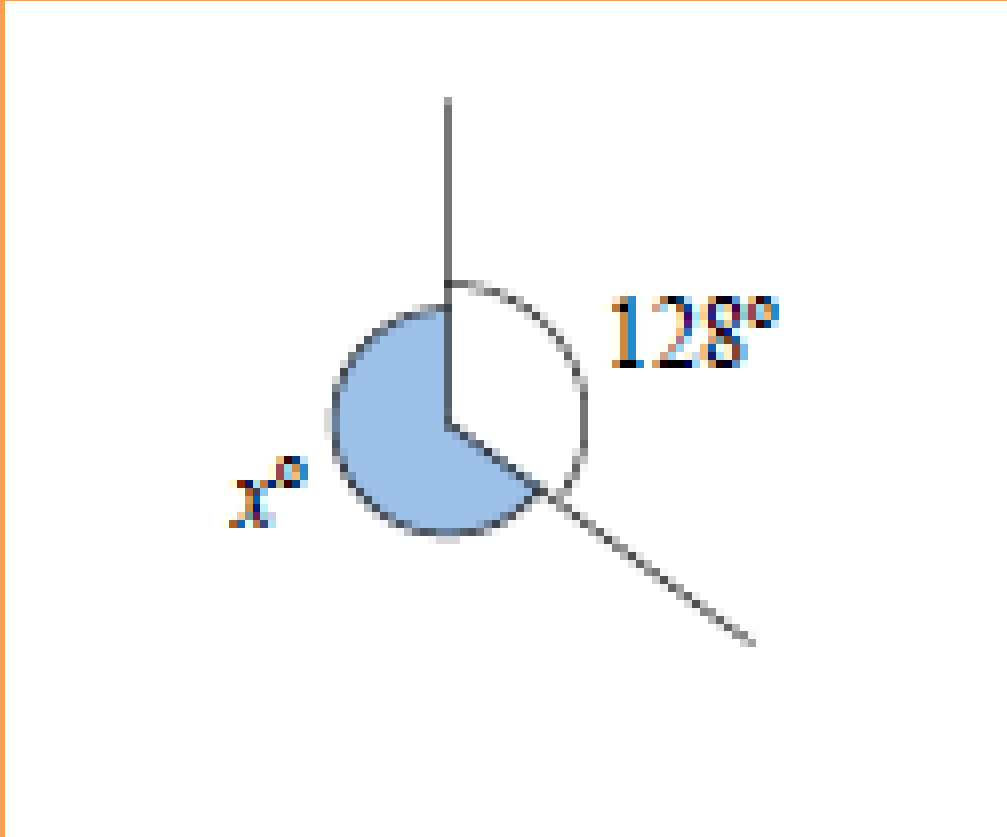


$$a+b = 180^\circ$$

$$d+c = 180^\circ$$

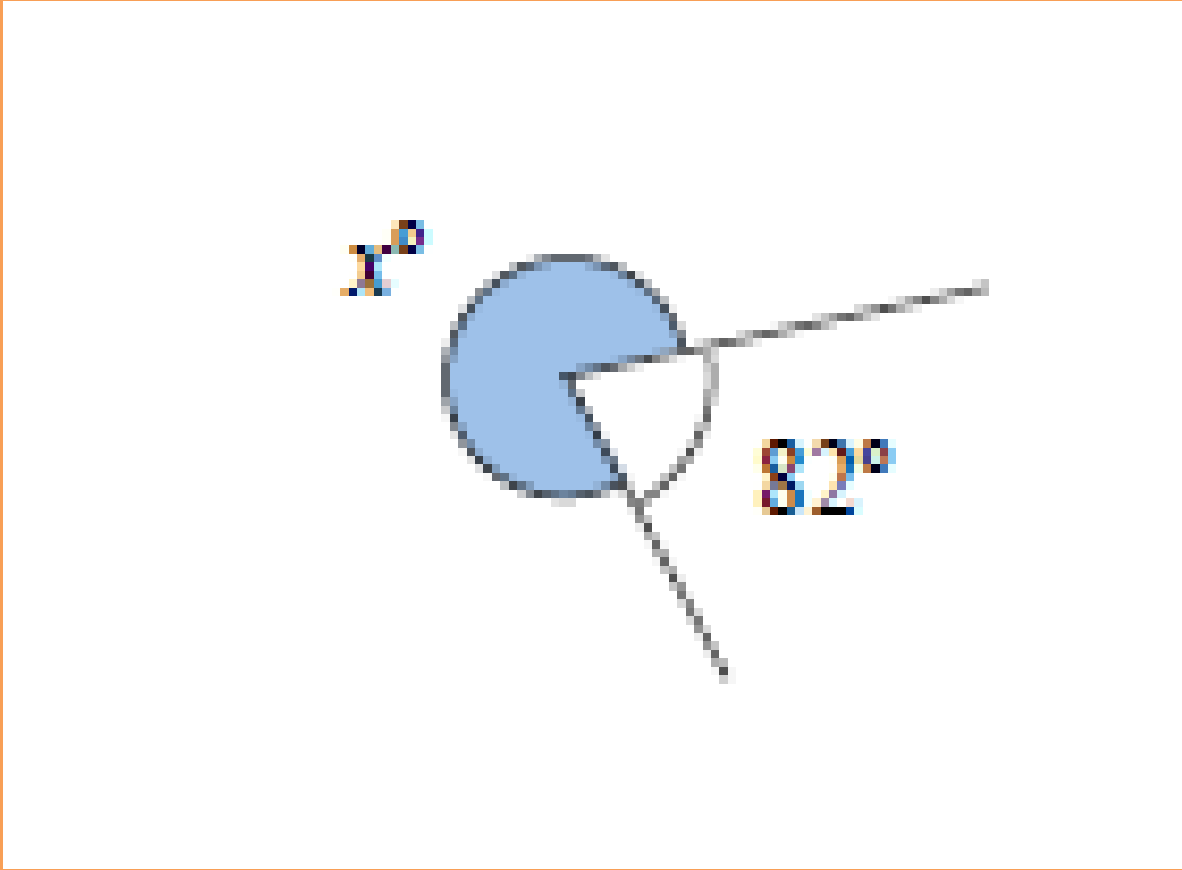
$$a+b+c+d = 360^\circ$$

How can I use my knowledge to find **X** the missing angle?



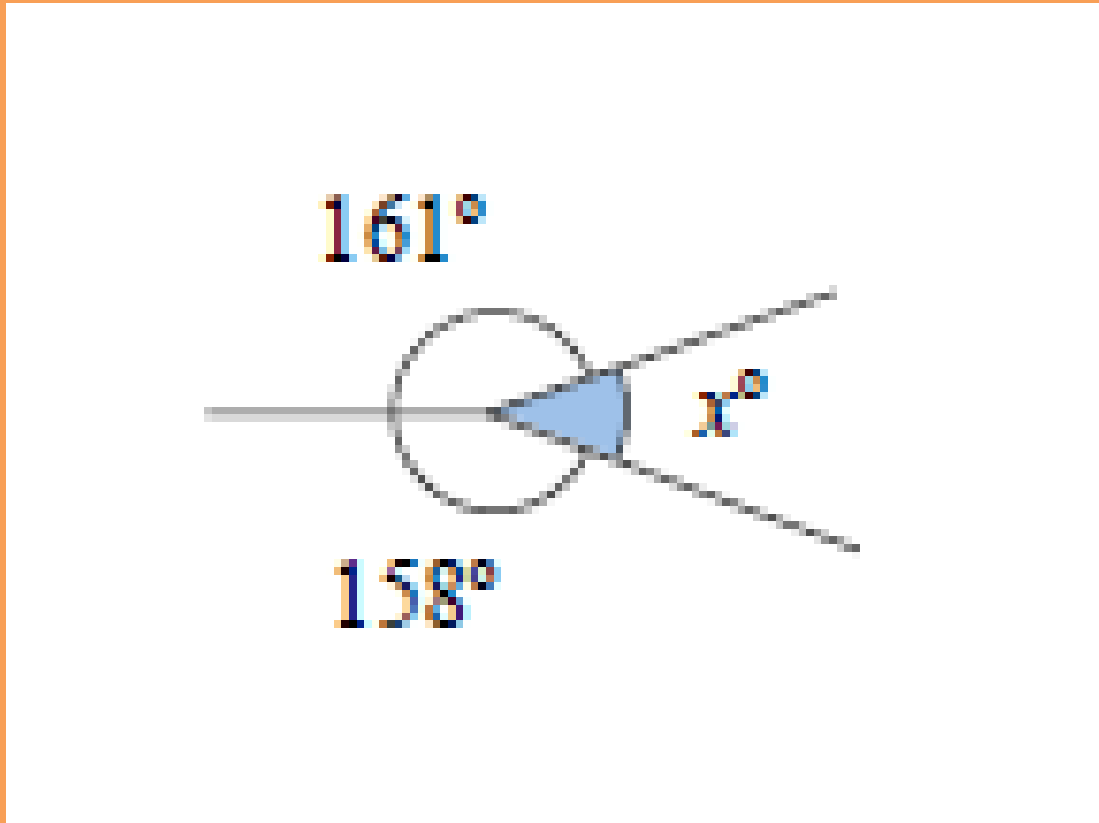
$$360 - 128 = 232^\circ$$

How can I use my knowledge to find **X** the missing angle?



$$360 - 82 = 278^\circ$$

How can I use my knowledge to find **X** the missing angle?



$$161 + 158 = 319$$

$$360 - 319 = 41^\circ$$